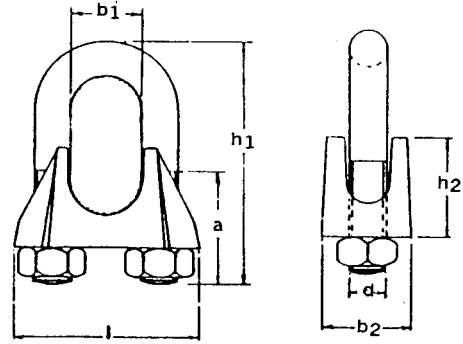


## STAINLESS STEEL WIRE ROPE GRIPS

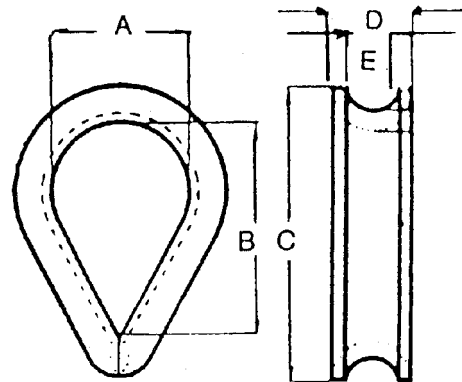
UNTESTED



ROPE DIA mm	a mm	b1 mm	b2 mm	d mm	h1 mm	h2 mm	l mm	WEIGHT PER 100 KGS
2	10	4	10	M3	17	10	17	0.9
3	12	5	10	M4	21	10	20	1.0
4	13	6	11	M4	23	13	20	1.3
5	13	7	11	M5	26	11	23	1.4
6	16	8	13	M5	30	11	26	1.8
8	19	10	14	M6	36	16	30	3.3
10	21	12	18	M8	44	16	34	6.8
13	26	15	23	M10	56	22	41	12.5
16	31	19	26	M12	64	26	50	20.1
19	37	22	29	M12	76	30	53	27.0
22	44	26	33	M14	87	33	62	38.0
26	45	27	35	M14	95	37	65	40.6

## STAINLESS STEEL WIRE ROPE THIMBLES

UNTESTED



ROPE DIA mm	A mm	B mm	C mm	D mm	E mm	WEIGHT PER 100 KGS
2	7	12	21	5	3	0.2
3	9	14	23	6	4	0.4
4	11	16	25	7	5	0.6
5	13	21	32	8	6	0.8
6	15	26	39	9.5	7	1.4
8	18	35	48	12	9	2.8
10	25	42	55	14	11	4.8
12	29	48	66	17.5	14	8.0
16	35	62	84	22	18	15.1
20	43	73	99	27	22	21.7
22	50	84	110	31	28	32.0
24	54	85	120	33	29	66.0