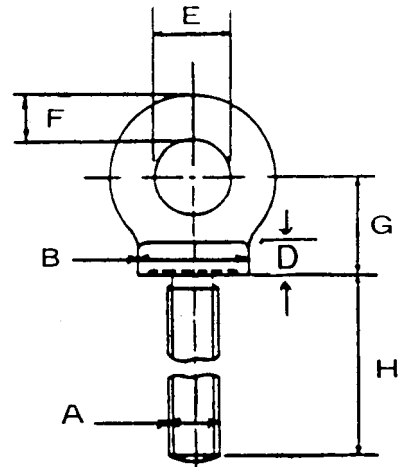


# LONG SHANK COLLARED EYEBOLTS

METRIC COARSE THREAD

TESTED AND CERTIFIED



VERTICAL SWL TONNES	A mm	B mm	D mm	E mm	F mm	G mm	H mm	WEIGHT EACH KGS
0.25	10	22	7	15	9	20	178	0.18
0.40	12	28	10	19	11	25	178	0.25
0.50	14	36	12	24	14	32	178	0.40
0.80	16	36	12	24	14	32	178	0.44
1.00	18	43	14	28	17	38	178	0.70
1.60	20	43	14	28	17	38	178	0.70
1.60	22	43	14	38	17	38	178	1.05
2.50	24	57	19	38	22	51	178	1.50
4.00	30	71	24	48	28	64	178	2.80