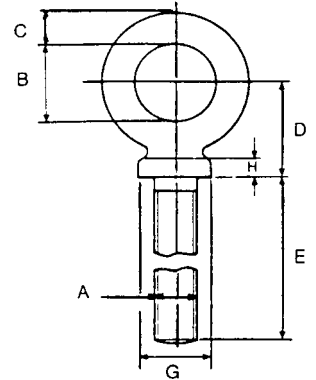


# LONG SHANK DYNAMO EYEBOLTS

TESTED AND CERTIFIED



## BSW THREAD

VERTICAL SWL TONNES	A in	B in	C in	D in	E in	G in	H in	WEIGHT EACH KGS
0.15	5/16	7/8	3/8	1.1/16	4	3/4	1/4	0.11
0.25	3/8	7/8	3/8	1.1/16	4	3/4	1/4	0.12
0.50	1/2	1.1/16	7/16	1.3/8	4	1	5/16	0.17
0.80	5/8	1.1/4	1/2	1.5/8	4.1/2	1.1/8	3/8	0.35
1.20	3/4	1.9/16	11/16	2.1/8	5	1.7/16	7/16	0.60
2.20	1	2	13/16	2.7/16	5	1.5/8	1/2	1.10

## METRIC COARSE THREAD

VERTICAL SWL TONNES	A mm	B mm	C mm	D mm	E mm	G mm	H mm	WEIGHT EACH KGS
0.15	8	22	9.5	27	100	19	6	0.11
0.25	10	22	9.5	27	100	19	6	0.12
0.32	12	29	11	35	100	25	8	0.17
0.63	16	32	13	41	114	29	9.5	0.35
1.25	20	41	16	54	127	35	11	0.60
2.00	24	51	19	64	127	41	13	1.10

Please note Dynamo Eyebolts are for vertical lift only.