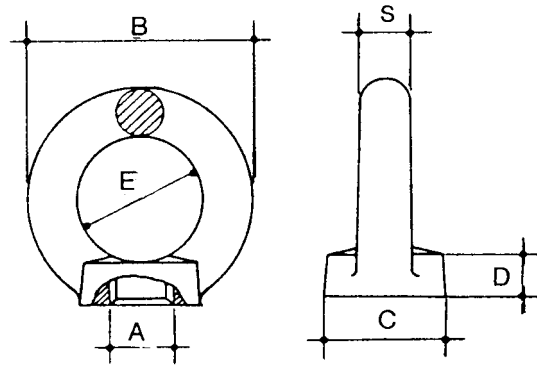


EYENUTS

TO DIN 582 - METRIC COARSE THREAD

TESTED AND CERTIFIED



SWL	A	B	C	D	E	S	WEIGHT EACH KGS
KGS	mm	mm	mm	mm	mm	mm	KGS
140	8	36	20	8.5	20	8	0.05
230	10	45	25	10	25	10	0.11
340	12	54	30	11	30	12	0.16
700	16	63	35	13	35	14	0.25
1200	20	72	40	16	40	16	0.34
1800	24	90	50	20	50	20	0.77
3600	30	108	65	25	60	24	1.30
5100	36	126	75	30	70	28	2.10
7000	42	144	85	35	80	32	3.58
8600	48	166	100	40	90	38	5.12

Direction of pull	Maximum loadings by piece lifted in Kgs												
0°	1 bolt	140	230	340	700	1200	1800	3600	5100	7000	8600	11500	16000
45°	2 bolts	95	170	240	500	830	1270	2600	3700	5000	6100	8300	11000